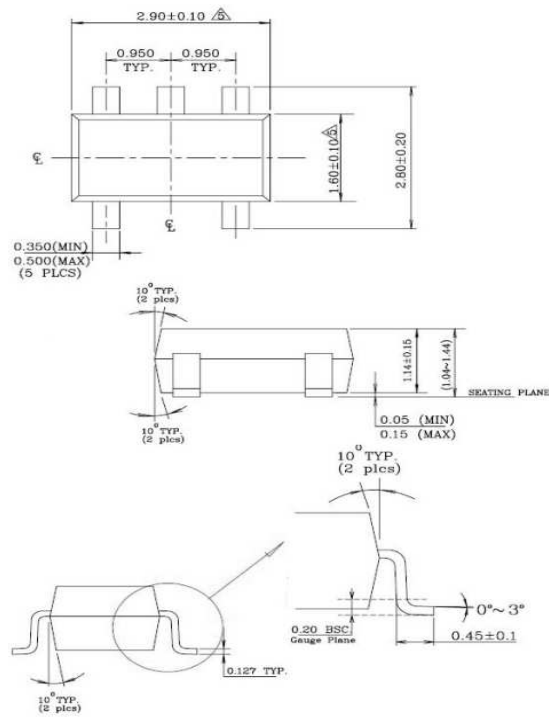
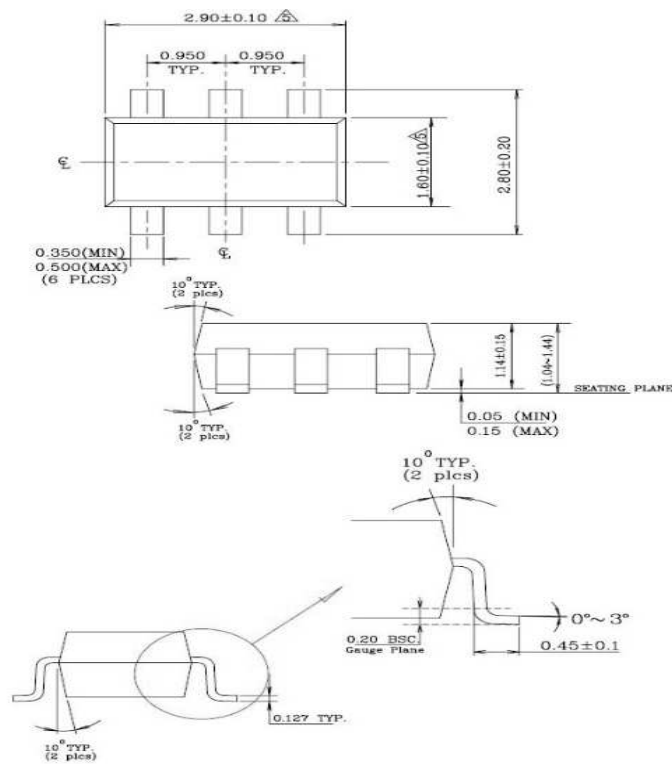


## 四. LDO 系列

### 1.SOT23-5



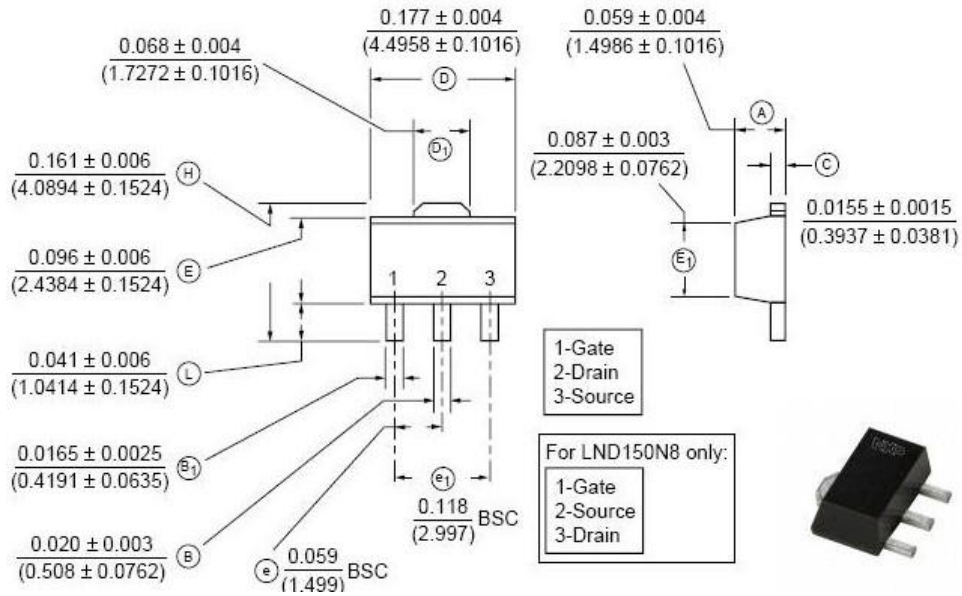
### 2.SOT23-6





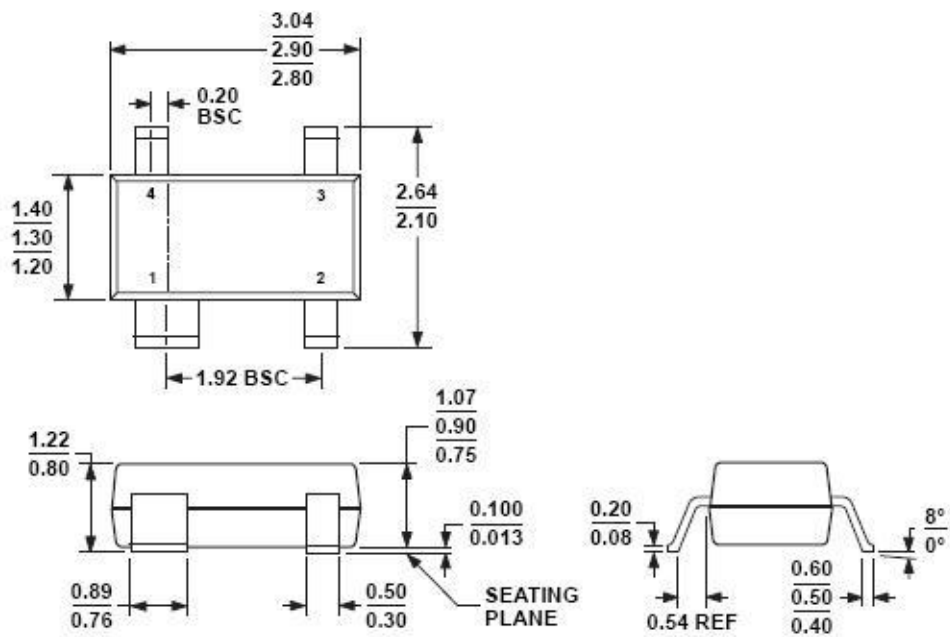
5.SOT89

**TO-243AA (SOT-89:N8)**

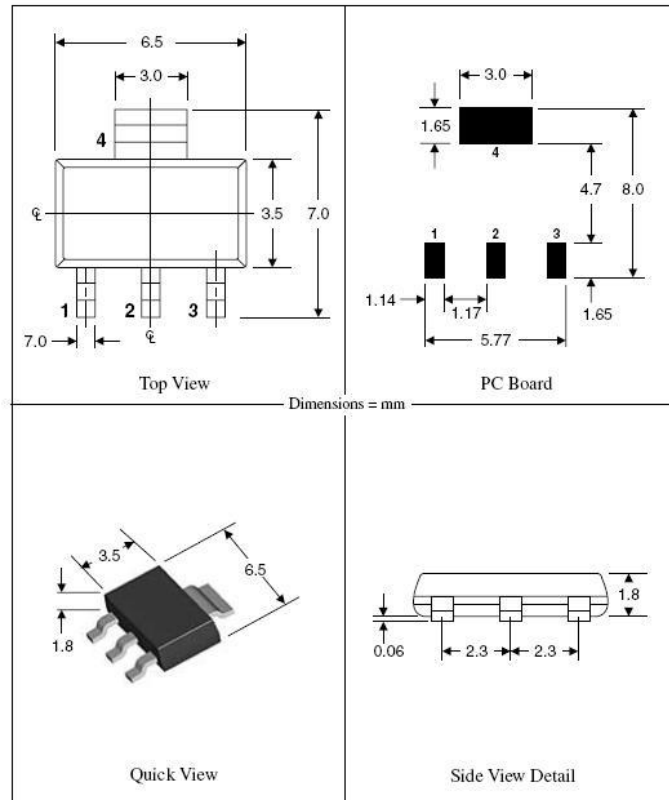


6.SOT143

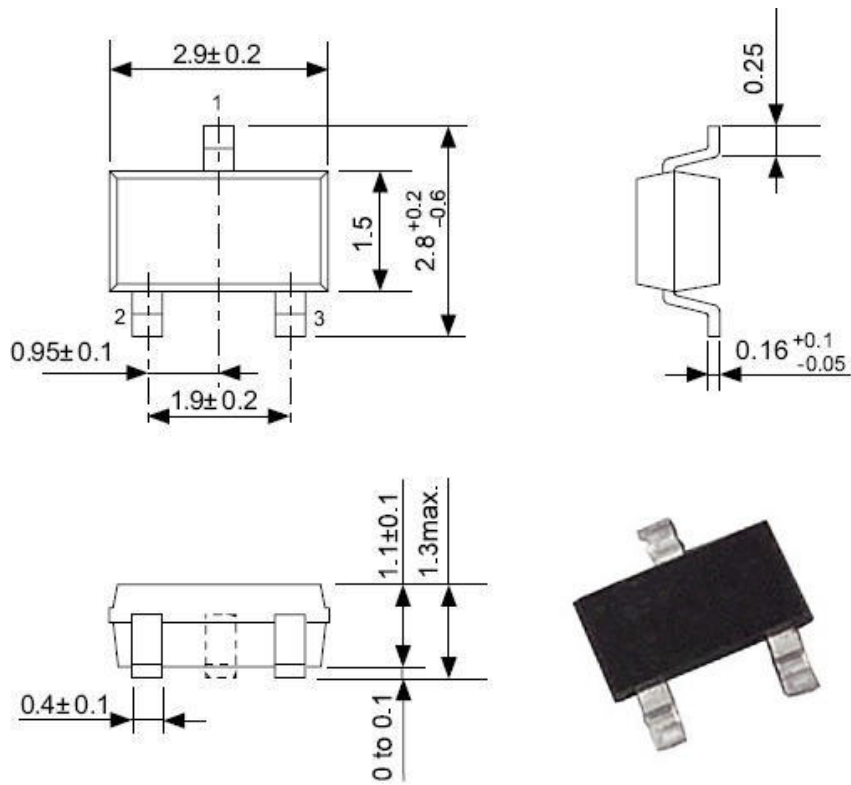
**SOT-143**



7.SOT223

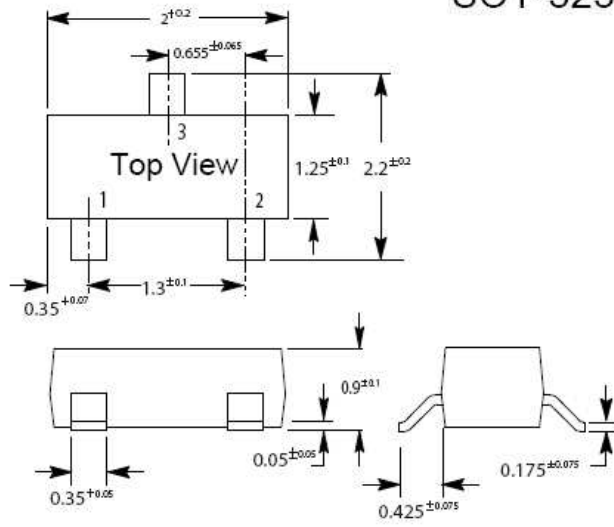


8.SOT233



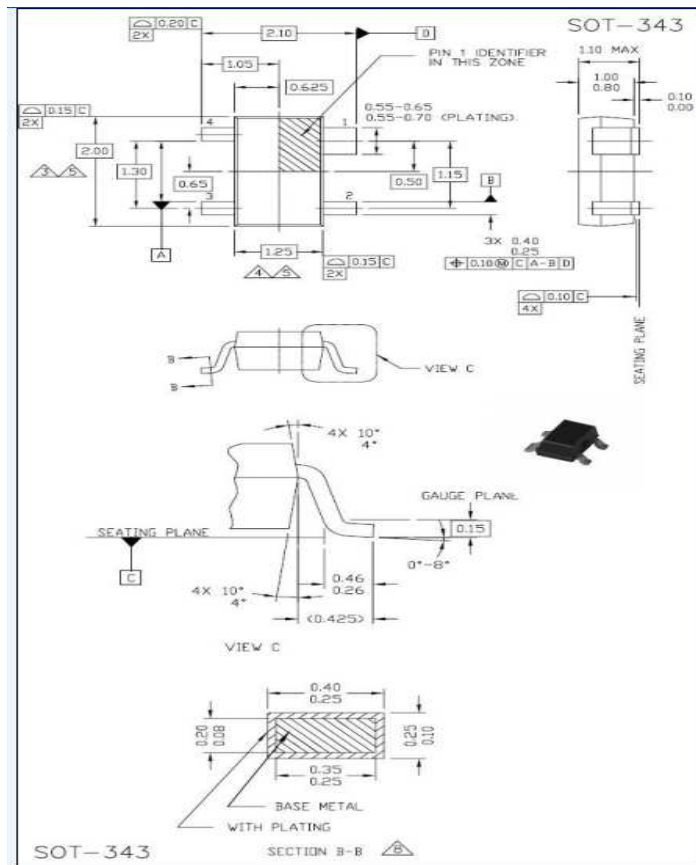
9.SOT323

SOT-323

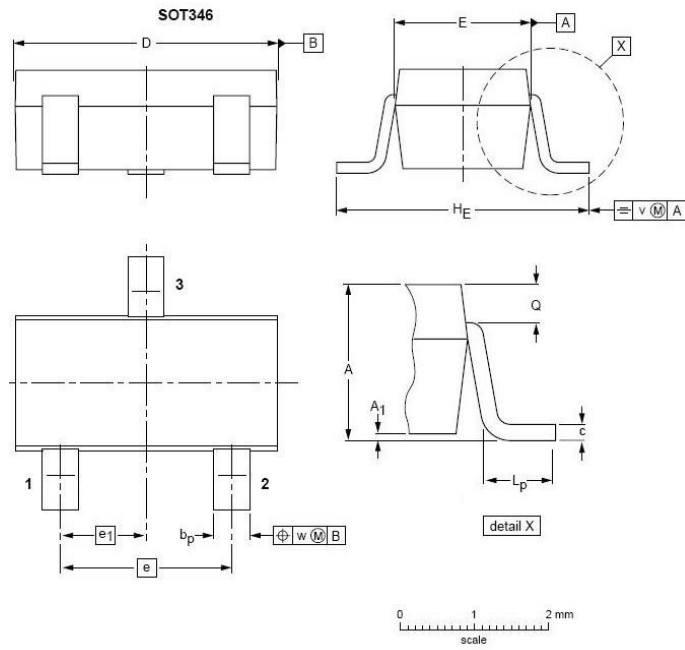


Dimensions in inches and (millimeters)

10.SOT343



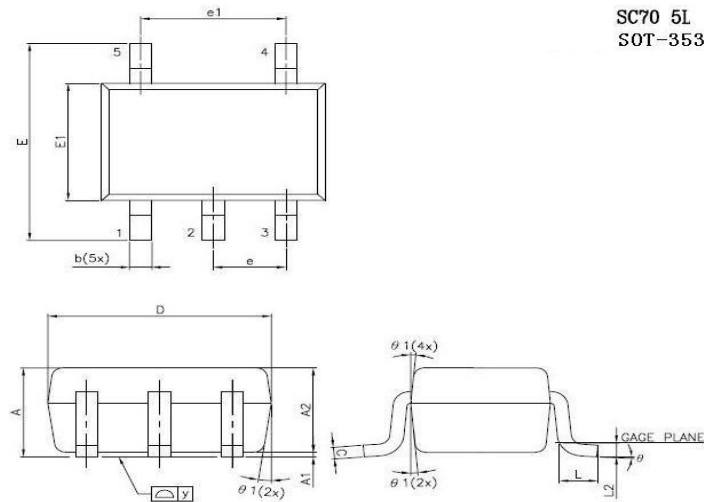
11.SOT346



DIMENSIONS (mm are the original dimensions)

UNIT	A	A <sub>1</sub>	b <sub>p</sub>	c	D	E	e	e <sub>1</sub>	H <sub>E</sub>	L <sub>p</sub>	Q	v	w
mm	1.3 1.0	0.1 0.013	0.50 0.35	0.26 0.10	3.1 2.7	1.7 1.3	1.9	0.95	3.0 2.5	0.6 0.2	0.33 0.23	0.2	0.2

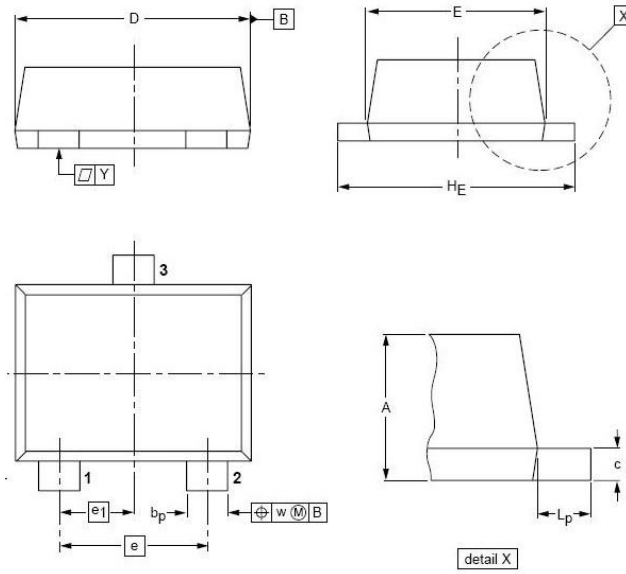
12.SOT353



SC70 5L  
SOT-353

SYMBOLS	DIMENSIONS IN MILLIMETERS			DIMENSIONS IN INCHES		
	MIN	NOM	MAX	MIN	NOM	MAX
A	0.80	—	1.10	0.031	—	0.043
A <sub>1</sub>	0.00	—	0.10	0.000	—	0.004
A <sub>2</sub>	0.70	0.90	1.00	0.028	0.035	0.039
b	0.15	—	0.30	0.006	—	0.012
C	0.08	—	0.22	0.003	—	0.009
D	1.80	2.00	2.20	0.071	0.079	0.087
E	1.80	2.10	2.40	0.071	0.083	0.094
E <sub>1</sub>	1.15	1.25	1.35	0.045	0.049	0.053
e	—	0.65	—	—	0.026	—
e <sub>1</sub>	—	1.30	—	—	0.051	—
L	0.26	0.36	0.46	0.010	0.014	0.018
L <sub>2</sub>	—	0.15	—	—	0.006	—
y	—	—	0.10	—	—	0.004
theta	0°	4°	8°	0°	4°	8°
theta <sub>1</sub>	4°	—	12°	4°	—	12°

13.SOT363

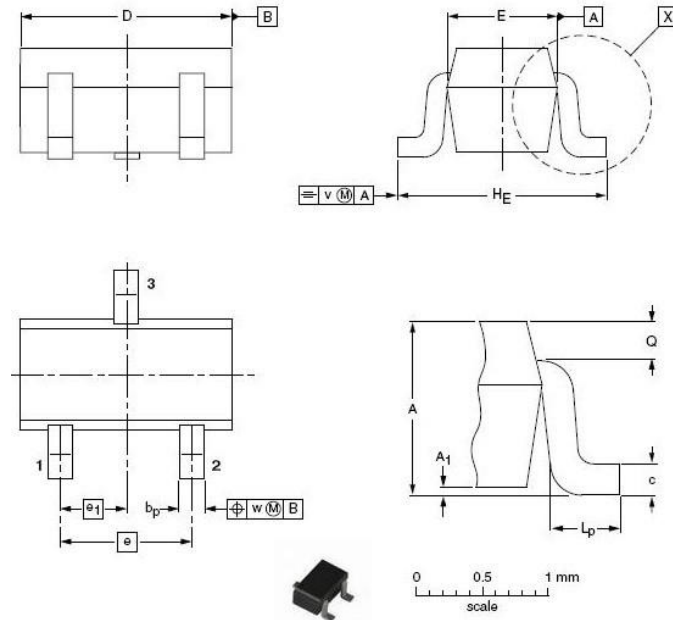


DIMENSIONS (mm are the original dimensions)

SOT663

UNIT	A	b <sub>p</sub>	c	D	E	e	e <sub>1</sub>	H <sub>E</sub>	L <sub>p</sub>	w	y
mm	0.6 0.5	0.33 0.23	0.18 0.08	1.7 1.5	1.3 1.1	1.0	0.5	1.7 1.5	0.3 0.1	0.1	0.1

14.SOT416

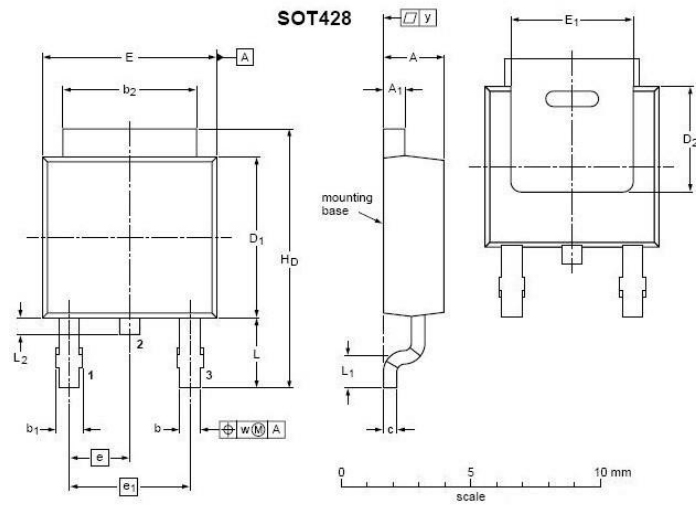


DIMENSIONS (mm are the original dimensions)

UNIT	A	A <sub>1</sub> max	b <sub>p</sub>	c	D	E	e	e <sub>1</sub>	H <sub>E</sub>	L <sub>p</sub>	Q	v	w
mm	0.95 0.60	0.1	0.30 0.15	0.25 0.10	1.8 1.4	0.9 0.7	1	0.5	1.75 1.45	0.45 0.15	0.23 0.13	0.2	0.2

detail X

15.SOT428



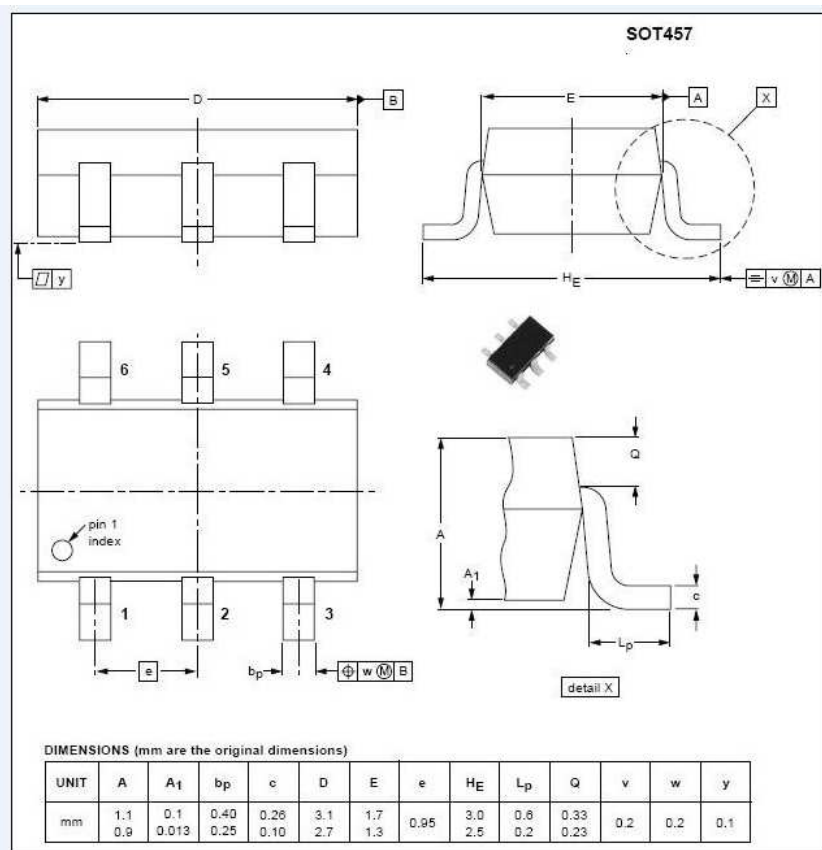
DIMENSIONS (mm are the original dimensions) **SOT428**

UNIT	A	A <sub>1</sub>	b	b <sub>1</sub>	b <sub>2</sub>	c	D <sub>1</sub>	D <sub>2</sub> min	E
mm	2.38 2.22	0.93 0.46	0.89 0.71	1.1 0.9	5.46 5.00	0.56 0.20	6.22 5.98	4.0	6.73 6.47

UNIT	E <sub>1</sub> min	e	e <sub>1</sub>	H <sub>p</sub>	L	L <sub>1</sub> min	L <sub>2</sub>	w	y max
mm	4.45	2.285	4.57	10.4 9.6	2.95 2.55	0.5	0.9 0.5	0.2	0.2



16.SOT457

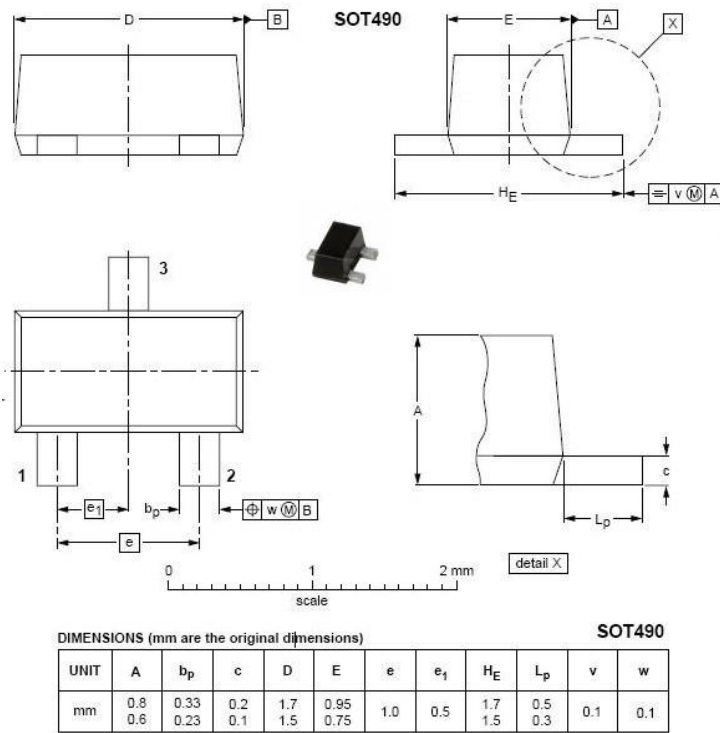


DIMENSIONS (mm are the original dimensions)

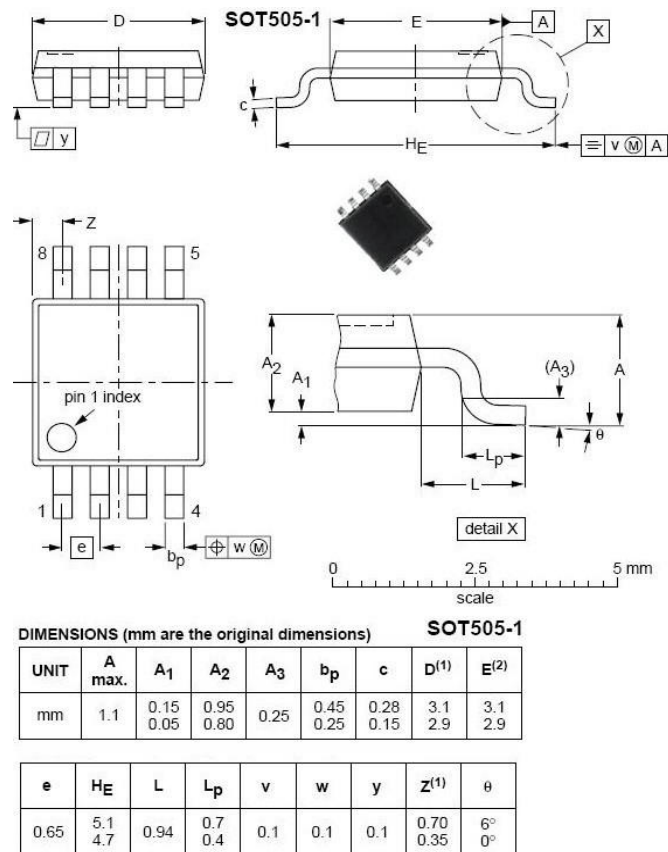
UNIT	A	A <sub>1</sub>	b <sub>p</sub>	c	D	E	e	H <sub>E</sub>	L <sub>p</sub>	Q	v	w	y
mm	1.1 0.9	0.1 0.013	0.40 0.25	0.26 0.10	3.1 2.7	1.7 1.3	0.96	3.0 2.5	0.6 0.2	0.33 0.23	0.2	0.2	0.1



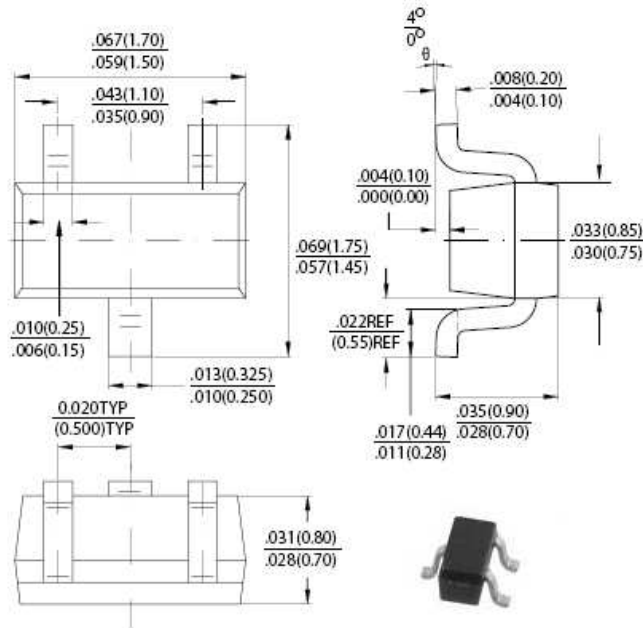
### 17.SOT490



### 18.SOT505-1

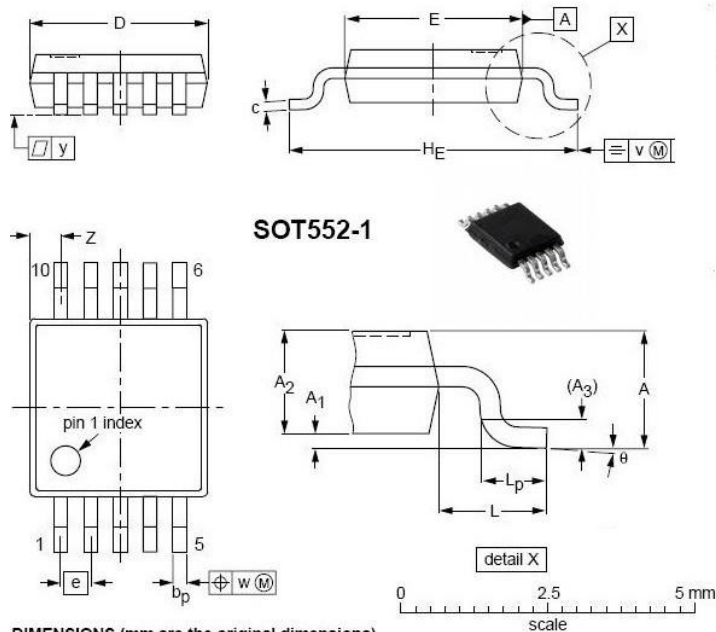


19.SOT523



Dimensions in inches and (millimeters)

20.SOT552-1

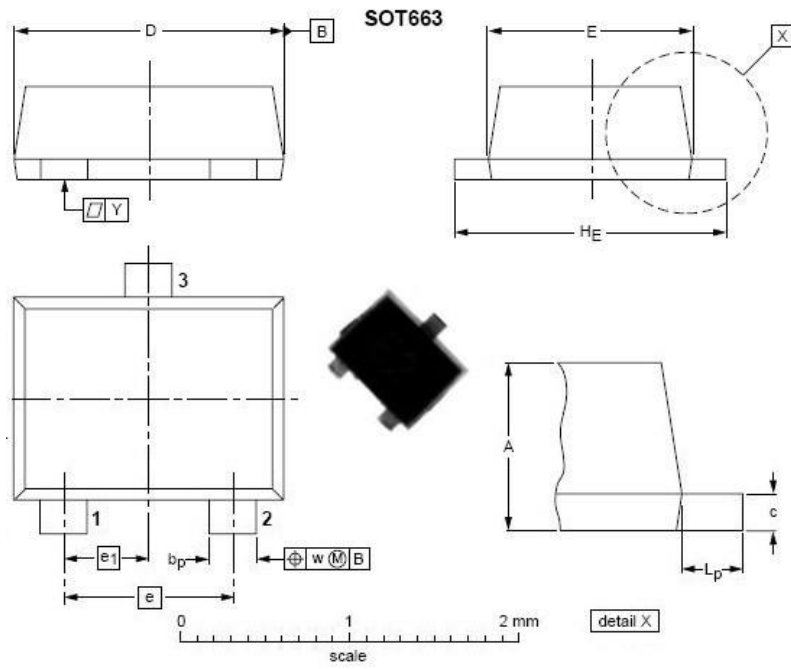


DIMENSIONS (mm are the original dimensions)

UNIT	A max.	A <sub>1</sub>	A <sub>2</sub>	A <sub>3</sub>	b <sub>p</sub>	c	D <sup>(1)</sup>	E <sup>(2)</sup>
mm	1.10	0.15 0.05	0.95 0.80	0.25	0.30 0.15	0.23 0.15	3.10 2.90	3.10 2.90
e	H <sub>E</sub>	L	L <sub>p</sub>	v	w	y	Z <sup>(1)</sup>	θ
0.50	5.00 4.80	0.95	0.70 0.40	0.1	0.1	0.1	0.67 0.34	6° 0°

SOT552-1

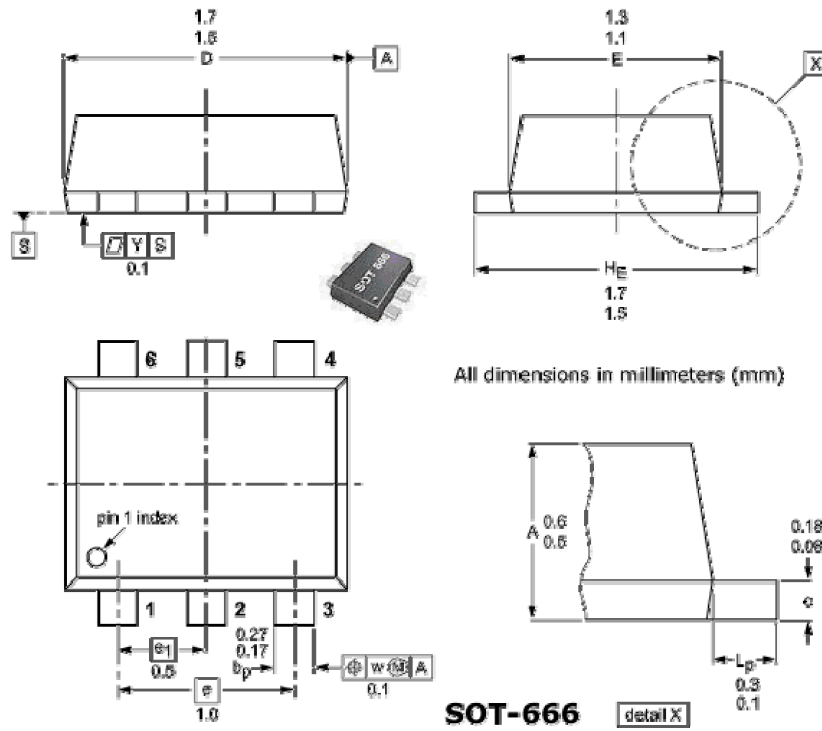
21.SOT663



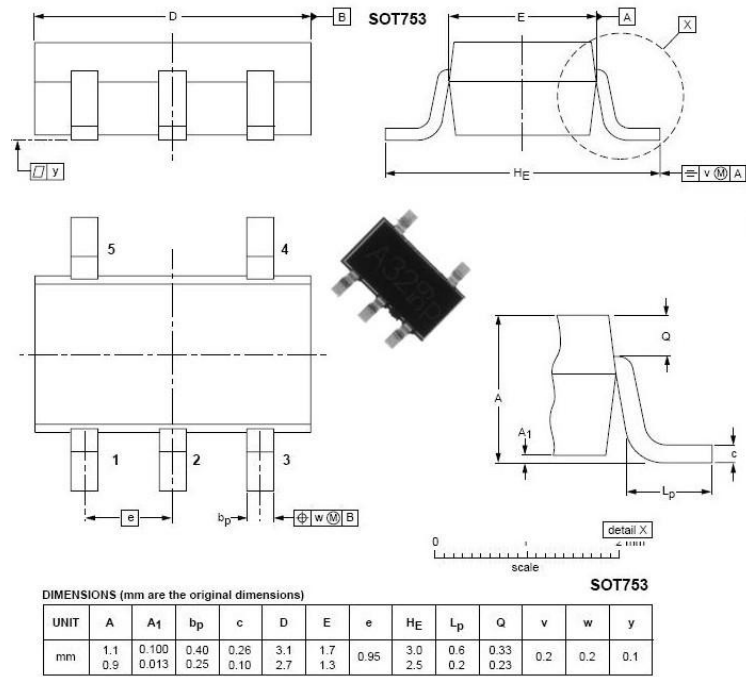
DIMENSIONS (mm are the original dimensions)

UNIT	A	b <sub>p</sub>	c	D	E	e	e <sub>1</sub>	H <sub>E</sub>	L <sub>p</sub>	w	y
mm	0.6 0.5	0.33 0.23	0.18 0.08	1.7 1.5	1.3 1.1	1.0	0.5	1.7 1.5	0.3 0.1	0.1	0.1

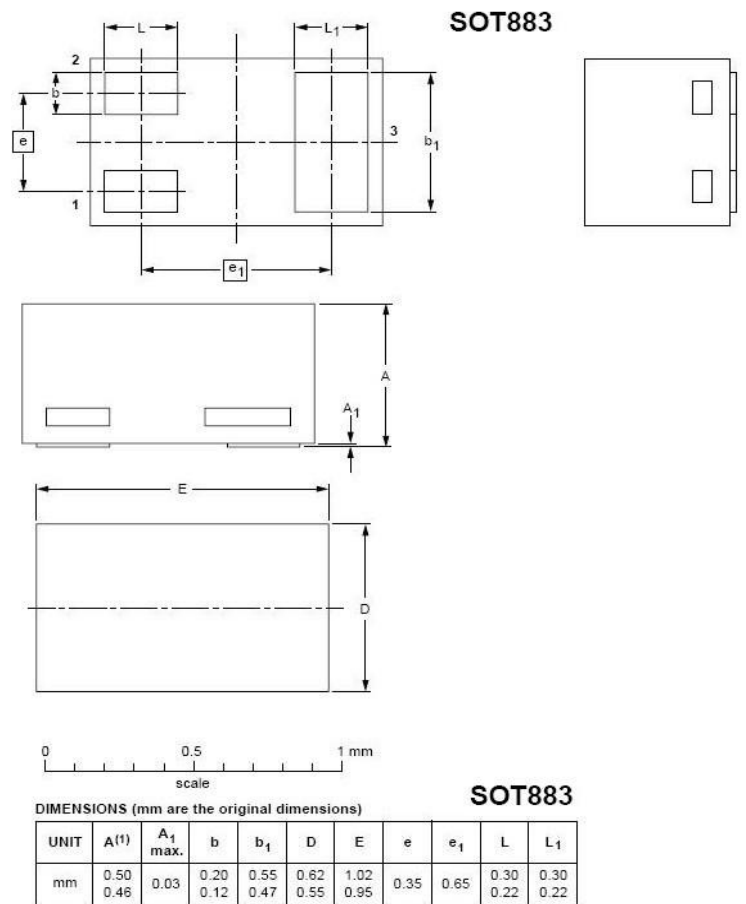
22.SOT666



### 23.SOT753

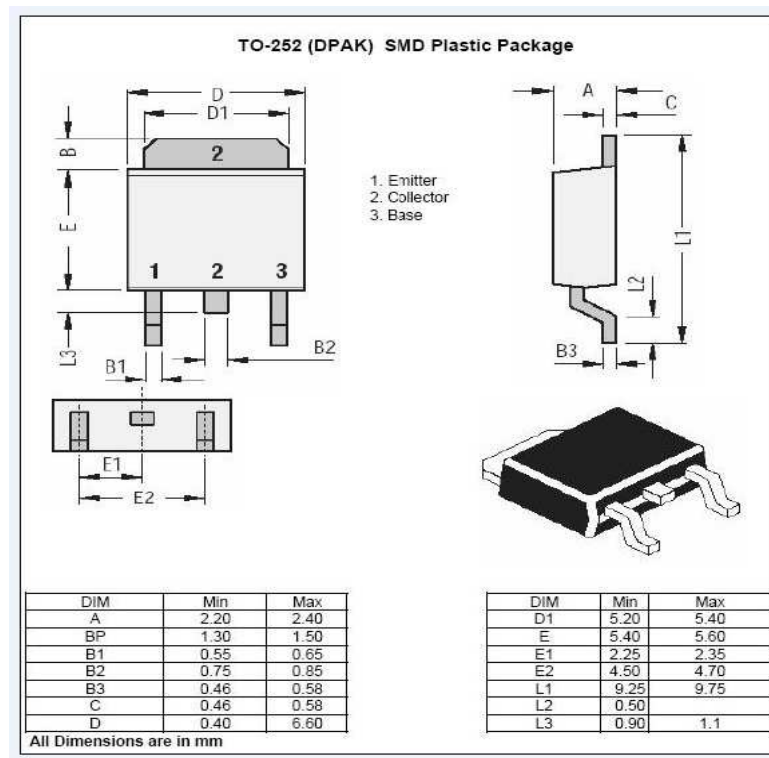


### 24.SOT883



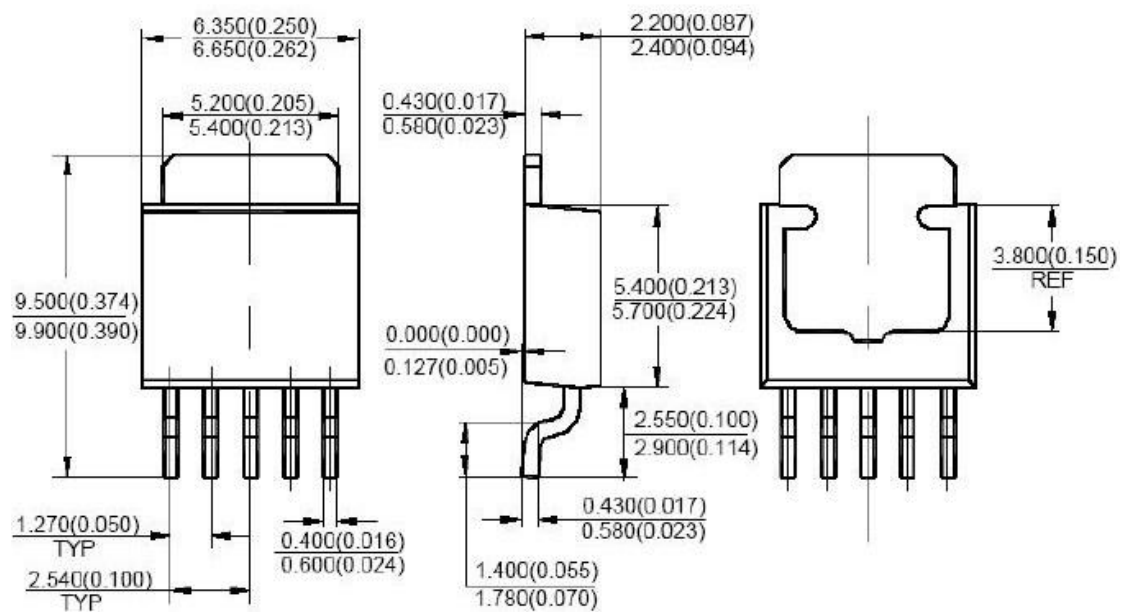
## 五. TO 系列

### 1.TO-252(DPAK)



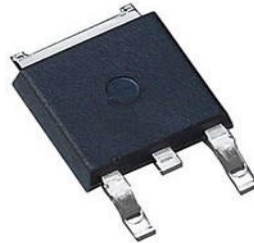
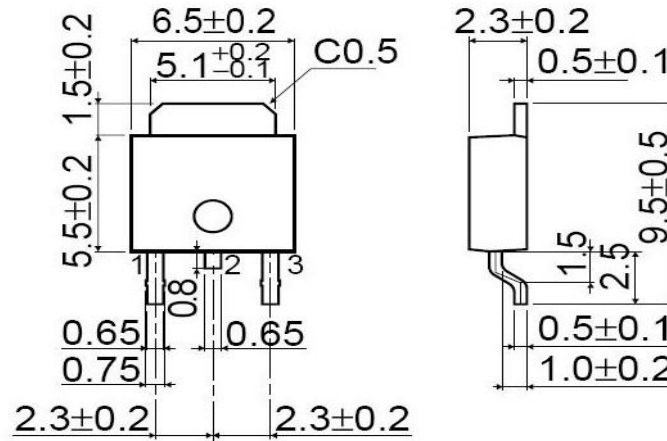
### 2.TO-252-5

#### TO-252-5 Unit: mm(inch)

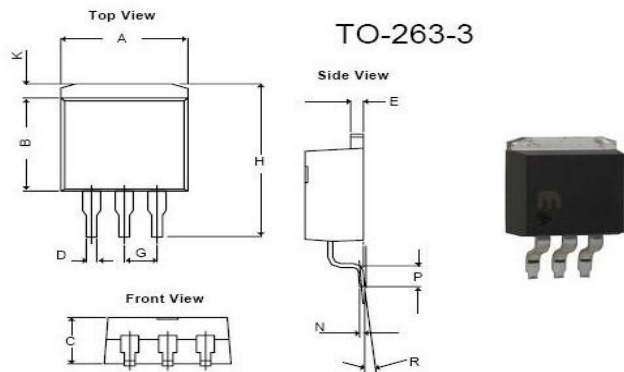


3.TO-252-3

## TO252-3

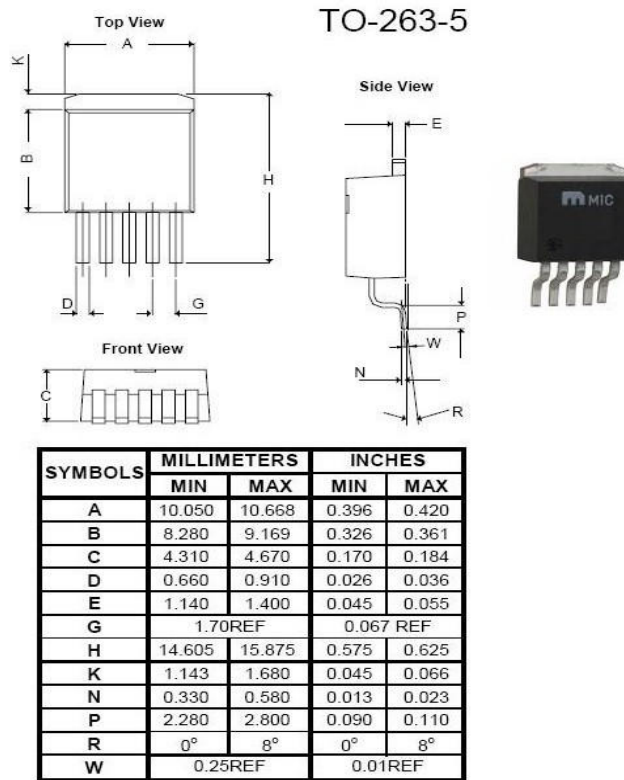


4.TO-263-3

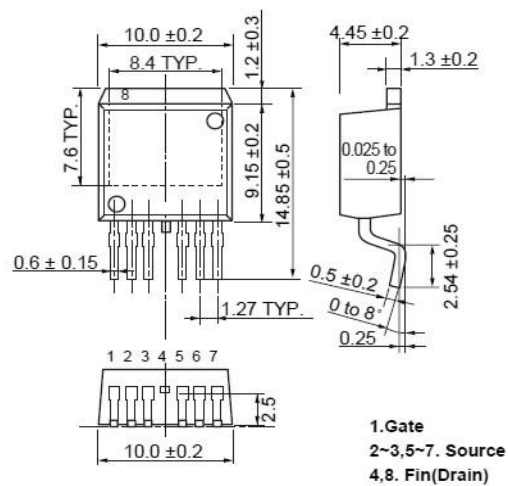


SYMBOLS	MILLIMETERS		INCHES	
	MIN	MAX	MIN	MAX
A	9.65	10.668	0.380	0.420
B	8.28	9.66	0.326	0.380
C	4.06	4.83	0.160	0.190
D	0.50	1.36	0.020	0.054
E	1.14	1.45	0.045	0.057
G	2.54		0.100	
H	14.60	15.875	0.5748	0.625
K	0.99	2.93	0.03898	0.11535
N	0.381REF		0.015REF	
P	2.28	2.80	0.08976	0.11024
R	0°	8°	0°	8°

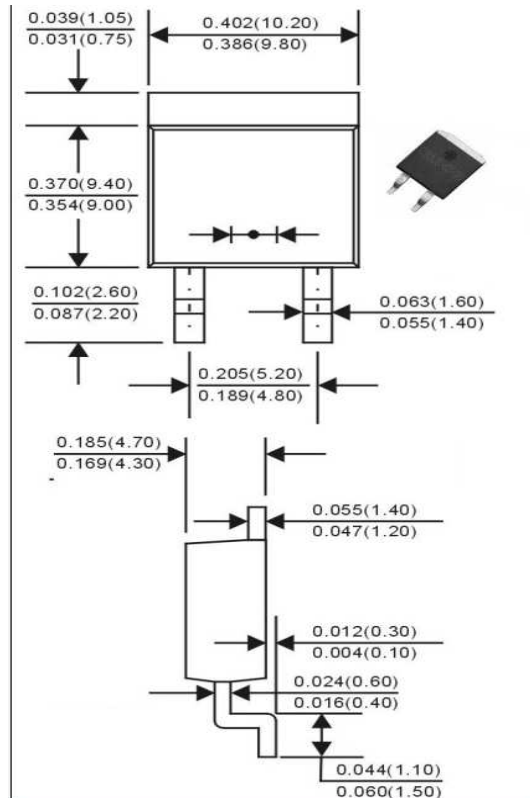
5.TO-263-5



6.TO-263-7



7.TO-263



8.TO-268AA

